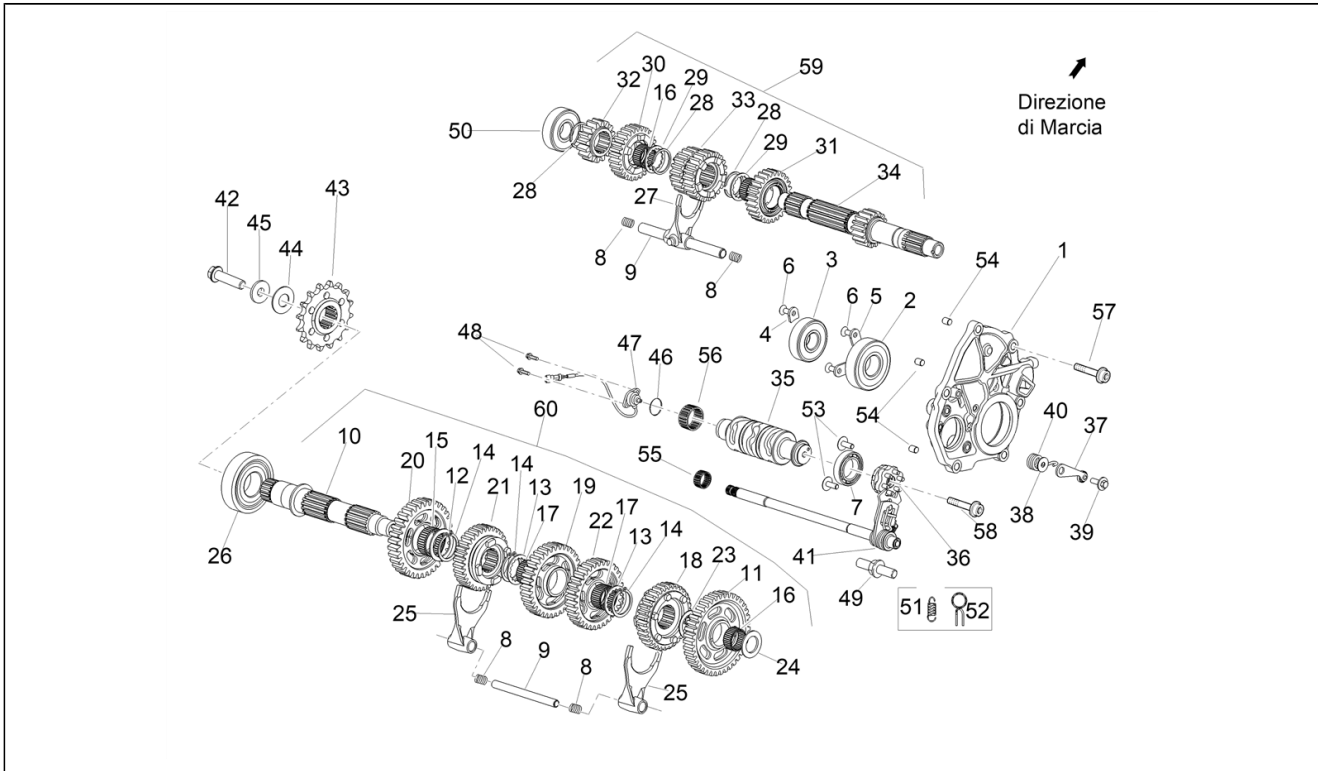


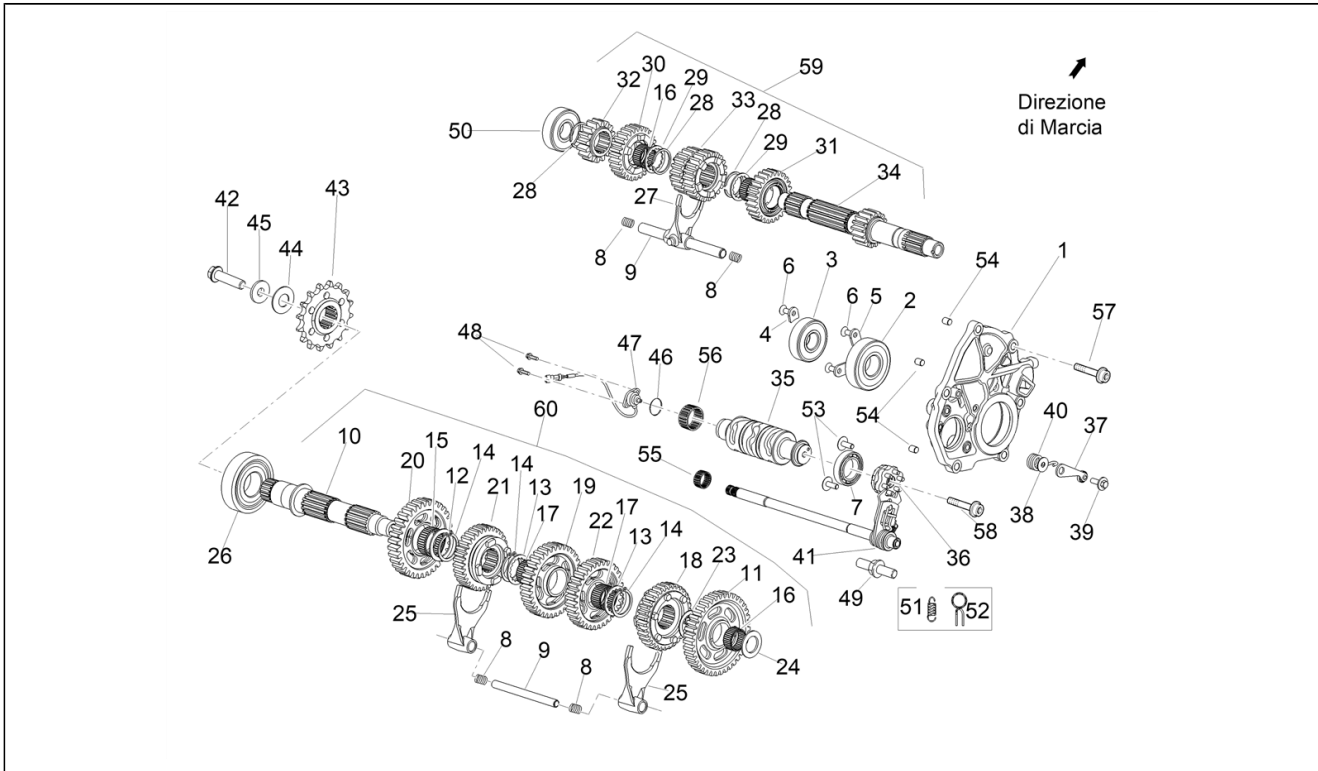
Assembly	Engine
Code	03.180
Description	Gear box - Gear assembly
Review	1



FILTERS: none

Pos.	Code	Description	Q.ty	Variants
1	2A000436	Trasmission support	1	
2	898634	Ball bearing 25x62x17	1	
3	898635	Ball bearing 20x52x15	1	
4	AP9150145	Check bearing plate	1	
5	857271	Check bearing plate	2	
6	1A011248	Countersunk-head screw M6x16	3	
7	857250	Ball bearing 25x42x9	1	
8	857175	Spring	4	
9	2A000440	Fork shaft	2	
10	857236	Driven shaft	1	
11	2A000879	1st wheel gear Z=39	1	
12	857308	Washer 30x40x1,5	1	
13	857247	Clearance washer	2	
14	857248	Circlip D30	3	
15	857309	Roller cage 30x35x13	1	
16	857233	Roller cage 24x28x13	3	
17	857244	Roller cage 26x30x15,6	2	
18	2A000890	5th wheel gear Z=34	1	
19	2A000285	3rd gear on the sec. Z=34	1	
20	1A027354	2nd gear on the sec. Z=33	1	
21	857242	6th wheel gear Z=33	1	
22	2A000286	4th gear on the sec. Z=31	1	
23	857246	Washer 24x35x1	1	
24	857245	Washer 20,1x33,5x2,5	1	
25	2A000558	Fork	2	
26	898633	Ball bearing 30X72X19	1	
27	2A000453R	Fork	1	

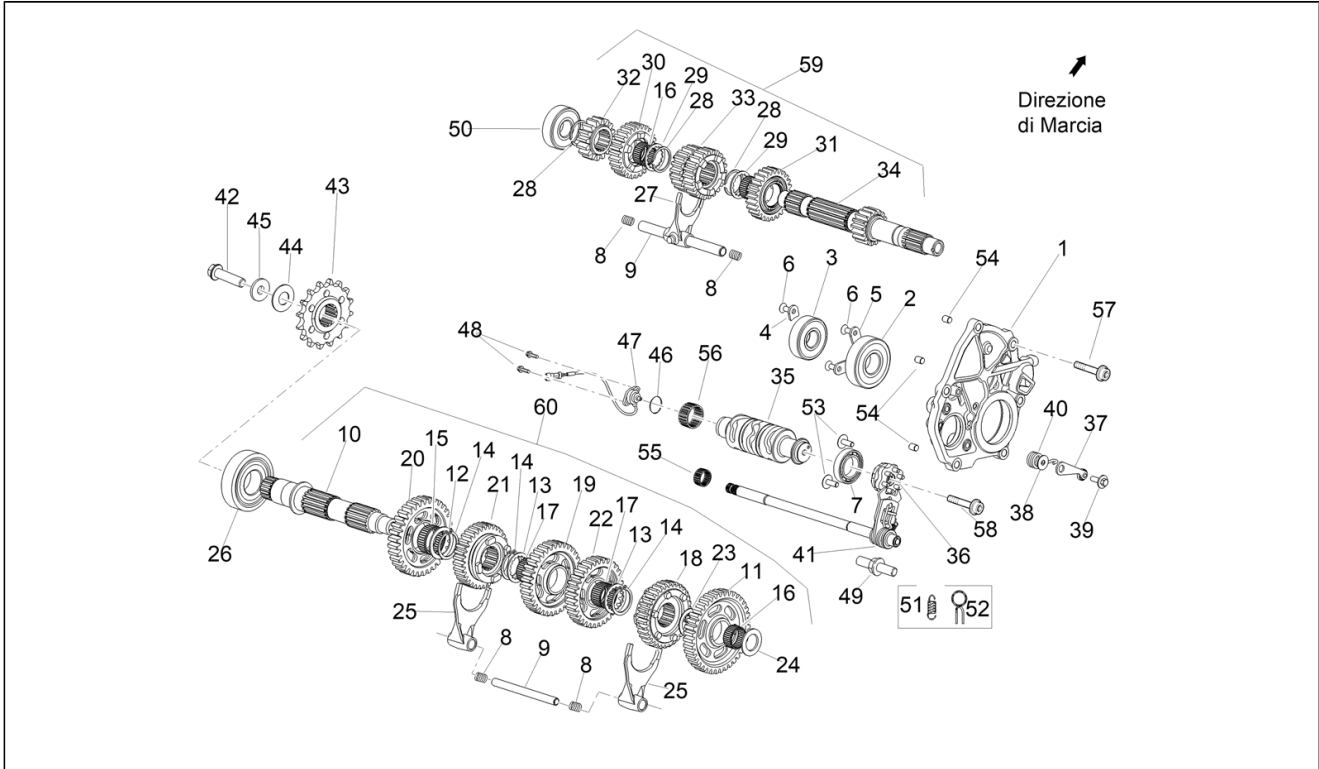
Assembly	Engine
Code	03.180
Description	Gear box - Gear assembly
Review	1



FILTERS: none

Pos.	Code	Description	Q.ty	Variants
28	857232	Washer for shafts	3	
29	857234	Clearance washer	2	
30	857231	6th pinion gear Z=27	1	
31	857230	5th pinion gear Z=26	1	
32	1A027353	2nd gear on the sec. Z=16	1	
33	2A000554	3rd-4th pinion gear Z=20/21	1	
34	2A000552	Primary gear shaft	1	
35	857251	Shift cam	1	
36	857123	Index washer	1	
37	857274	Index assy. lever	1	
38	AP9150051	Washer D6,3x18x1	1	
39	AP9150006	Screw w/ flange M6x15	1	
40	2A000048	Spring	1	
41	857253	Gear shaft+spring cpl.	1	
42	B043042	screw M10X35	1	
43	890827	Pinion Z=16	1	
44	854909	Belleville spring	1	
45	854951	T bush	2	
46	857494	O-ring	1	
47	2D000300	Gear position sensor	1	
48	AP8152273	Screw w/ flange M5x15	2	
49	899599	Threaded pin	1	
50	898636	Ball bearing 20x52x15	1	
51	857260	Fasten spring	1	
52	2A000047	Spring	1	
53	1A011261	Hex socket screw M6X16	2	
54	857427	Locating dowel M8x12	3	

Assembly	Engine
Code	03.180
Description	Gear box - Gear assembly
Review	1



FILTERS: none

Pos.	Code	Description	Q.ty	Variants
55	B045224	12x8x12 roller bearing	1	
56	857249	Drawn cap HK1512	1	
57	AP8152287	Screw w/ flange M8x25	6	
58	1A011247	Countersunk cylindrical hex head screw M6x20	1	
59	1A027351	Primary shaft assy	1	
60	1A027352	Sec. shaft assy	1	